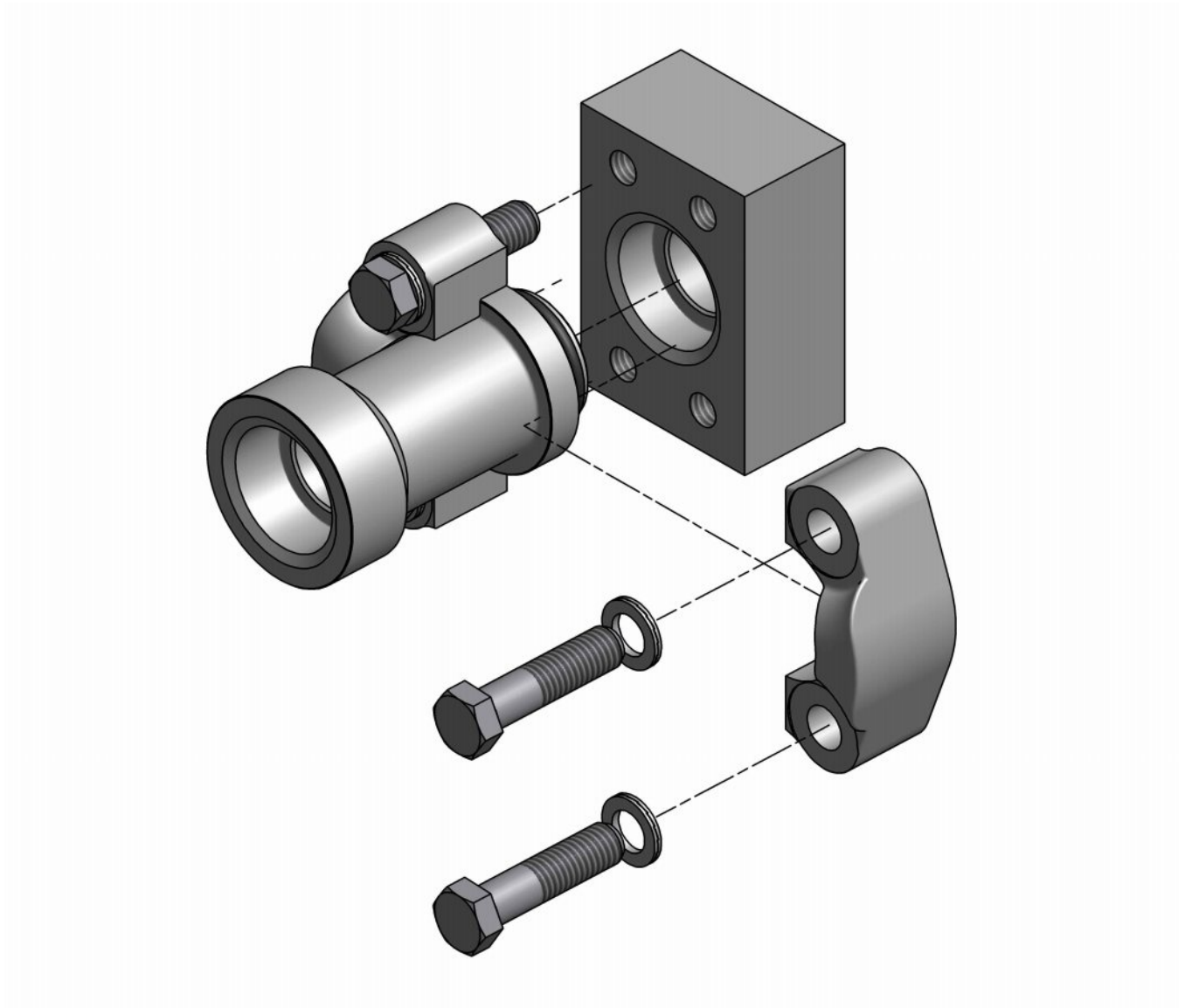




SEAL SUB FLANGE SELECTION GUIDE



Anchor Fluid Power Seal Sub flanges utilize radial seal technology in conjunction with the SAE J518 four-bolt flange specifications for high-pressure hydraulic applications. This combination provides improved sealing capabilities in high vibration, water hammer applications. All flanges are made in grade 316L stainless steel material.

Anchor Fluid Power Seal Sub flanges are available in three types:

Fixed Nose Seal Sub

This series utilizes both the radial seal technology plus a static face seal incorporated into a fixed nose design. The radial seal fixed nose is captured within the precision-machined bore of the SAE female mating flange component.

Radial Insert

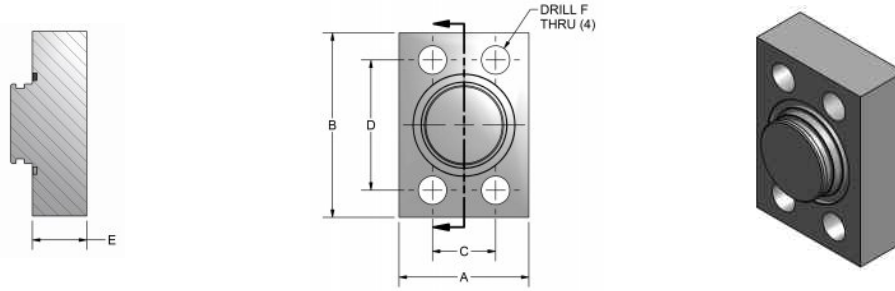
This series utilizes an independent radial seal insert that is captured within the precision-machined bores of two SAE female flange components. This independent insert has two radial seals for added sealing stability.

Fixed Nose Adapter

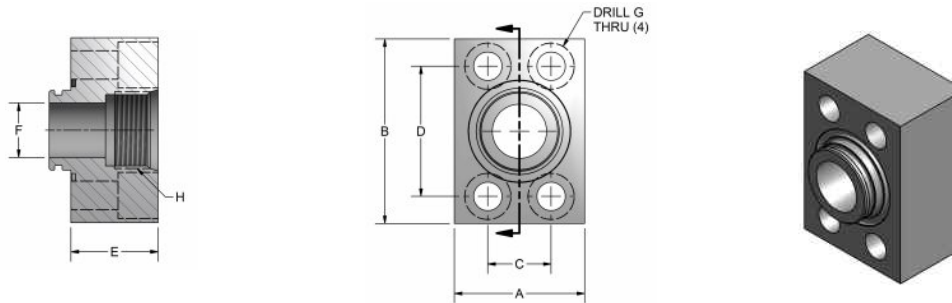
This series utilizes both the radial seal technology plus the static face seal similar to an SAE J518 flange head. The radial seal end is captured within the precision-machined bore of the SAE female mating flange component.

All Anchor Fluid Power seal sub connections are designed with interchangeability in mind.

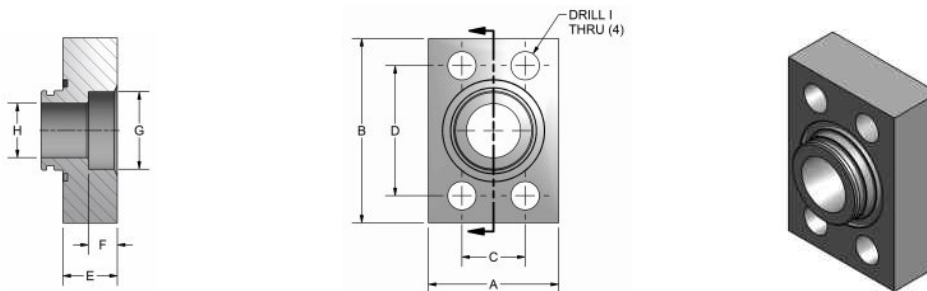
Male Seal Sub



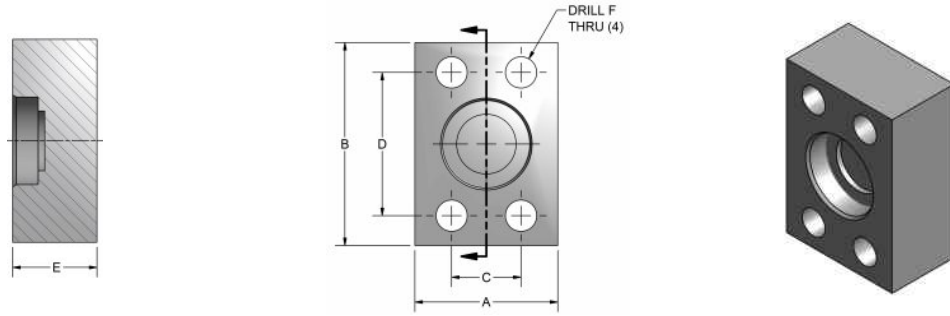
BLANKING FLANGE, FIXED NOSE SEAL SUB										
PART NO.	PAD SIZE	A	B	C	D	E	F	RADIAL O-RING	FACE O-RING	SHCS MOUNTING HARDARE
SUBM-38D-8-8	.50	1.75	2.22	.718	1.594	.94	.344	2-113	2-022	5/16-18 X 1.75
SUBM-38D-16-16	1.00	2.25	3.19	1.093	2.250	.94	.492	2-123	2-129	7/16-14 X 1.75
SUBM-38D-24-24	1.50	3.25	4.50	1.437	3.125	1.44	.656	2-129	2-136	5/8-11 X 2.50
SUBM-38D-32-32	2.00	4.00	5.25	1.75	3.812	1.565	.781	2-136	2-144	3/4-10 X 3.00



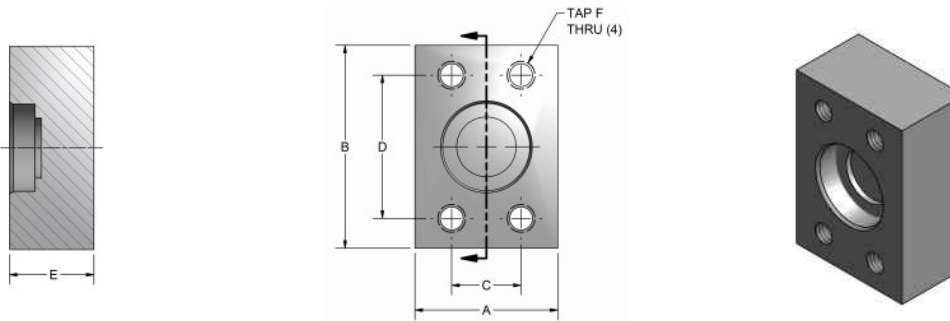
SAE J1926-1, FIXED NOSE SEAL SUB													
PART NO.	PORT SIZE	PAD SIZE	A	B	C	D	E	F	G	H	RADIAL O-RING	FACE O-RING	SHCS MOUNTING HARDWARE
SUBM-48D-8-8	.50	.50	1.75	2.22	.718	1.594	.94	.406	.344	3/4-16	2-113	2-022	5/16-18 X 1.25
SUBM-48D-16-16	1.00	1.00	2.25	3.19	1.093	2.250	1.50	.938	.492	1 5/16-12	2-123	2-129	7/16-14 X 1.75
SUBM-48D-24-24	1.50	1.50	3.25	4.50	1.437	3.125	1.94	1.312	.656	1 7/8-12	2-129	2-136	5/8-11 X 2.25
SUBM-48D-32-32	2.00	2.00	4.00	5.25	1.750	3.812	1.56	1.625	.781	2 1/2-12	2-136	2-144	3/4-10 X 2.00



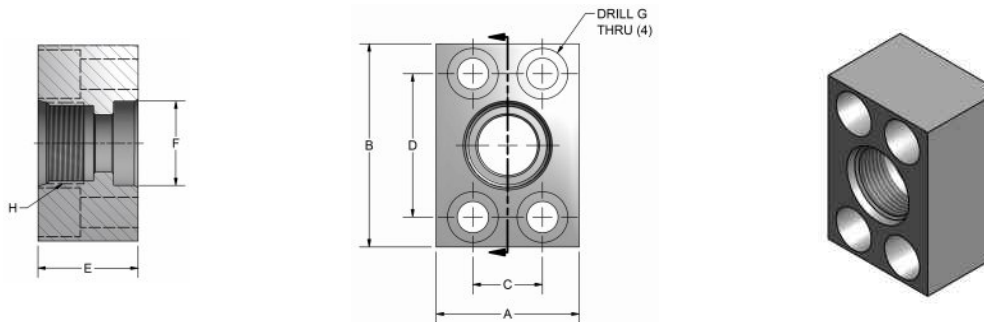
SOCKET WELD PIPE, FIXED NOSE SEAL SUB														
PART NO.	PIPE SIZE	PAD SIZE	A	B	C	D	E	F	G	H	I	RADIAL O-RING	FACE O-RING	SHCS MOUNTING HARDWARE
SUBM-59D-8-8	.50	.50	1.75	2.22	.718	1.594	.94	.500	.860	.406	.344	2-113	2-022	5/16-18 X 1.75
SUBM-59D-16-16	1.00	1.00	2.25	3.19	1.093	2.250	.94	.500	1.335	.938	.492	2-123	2-129	7/16-14 X 1.75
SUBM-59D-24-24	1.50	1.50	3.25	4.50	1.437	3.125	1.44	.500	1.920	1.312	.656	2-129	2-136	5/8-11 X 2.50
SUBM-59D-32-32	2.00	2.00	4.00	5.25	1.750	3.812	1.56	.620	2.411	1.625	.781	2-136	2-144	3/4-10 X 3.00



BLANKING FLANGE, FEMALE SEAL SUB, DRILLED								
PART NO.	PAD SIZE	A	B	C	D	E	F	SHCS MOUNTING HARDWARE
SUBF-38D-8-8	.50	1.75	2.22	.718	1.594	.94	.344	5/16-18 X 1.75
SUBF-38D-16-16	1.00	2.25	3.19	1.093	2.250	1.32	.492	7/16-14 X 2.25
SUBF-38D-24-24	1.50	3.25	4.50	1.437	3.125	1.69	.656	5/8-11 X 2.75
SUBF-38D-32-32	2.00	4.00	5.25	1.750	3.812	2.19	.781	3/4-10 X 3.50

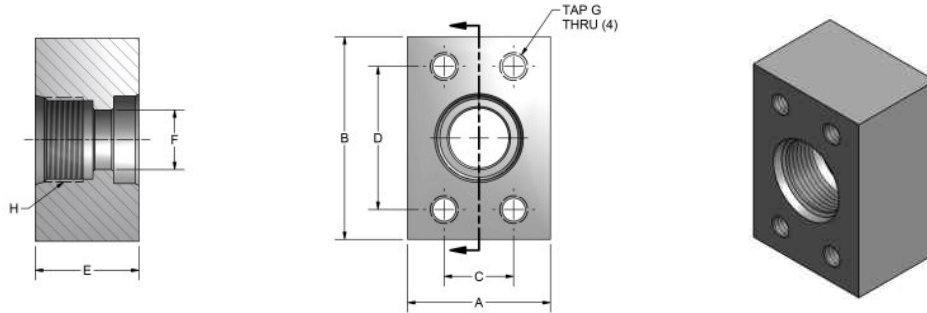


BLANKING FLANGE, FEMALE SEAL SUB, TAPPED							
PART NO.	PAD SIZE	A	B	C	D	E	F UNC-2B
SUBF-38T-8-8	.50	1.75	2.22	.718	1.594	.94	5/16-18
SUBF-38T-16-16	1.00	2.25	3.19	1.093	2.250	1.32	7/16-14
SUBF-38T-24-24	1.50	3.25	4.50	1.437	3.125	1.69	5/8-11
SUBF-38T-32-32	2.00	4.00	5.25	1.750	3.812	2.19	3/4-10

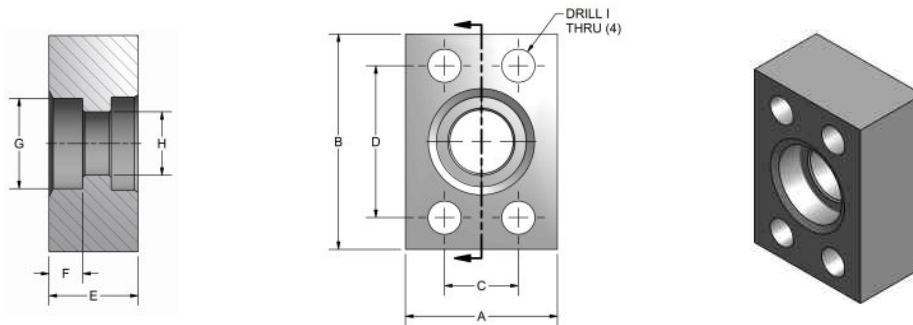


SAE J1926-1, FEMALE SEAL SUB, DRILLED											
PART NO.	PORT SIZE	PAD SIZE	A	B	C	D	E	F	G	H	SHCS MOUNTING HARDWARE
SUBF-49D-8-8	.50	.50	1.75	2.22	.718	1.594	1.32	.406	.344	3/4-16	5/16-18 X 1.75
SUBF-49D-16-16	1.00	1.00	2.25	3.19	1.093	2.250	1.63	.938	.492	1 5/16-12	7/16-14 X 1.75
SUBF-49D-24-24	1.50	1.50	3.25	4.50	1.437	3.125	1.94	1.312	.656	1 7/8-12	5/8-11 X 2.25
SUBF-49D-32-32	2.00	2.00	4.00	5.25	1.750	3.812	2.19	1.625	.781	2 1/2-12	3/4-10 X 2.50

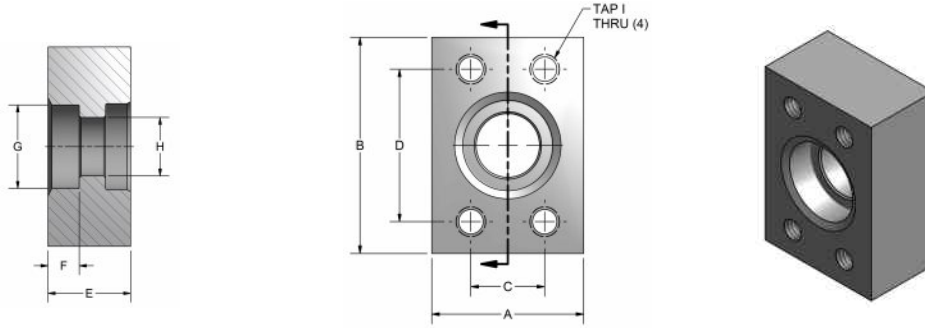
Female Seal Sub



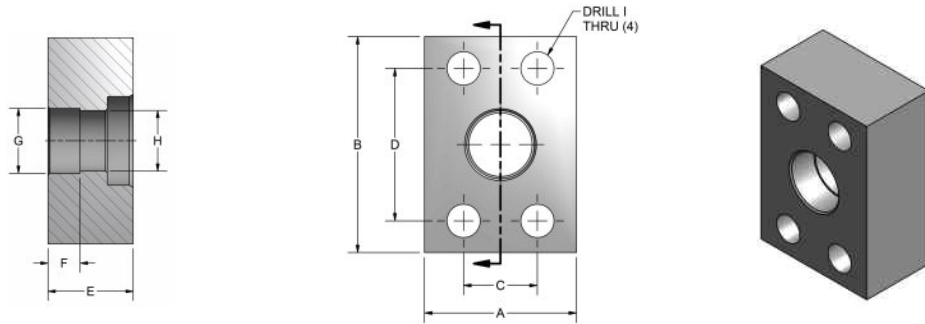
SAE J1926-1, FEMALE SEAL SUB, TAPPED										
PART NO.	PORT SIZE	PAD SIZE	A	B	C	D	E	F	G	H
SUBF-49T-8-8	.50	.50	1.75	2.22	.718	1.594	1.32	.406	5/16-18	3/4-16
SUBF-49T-16-16	1.00	1.00	2.25	3.19	1.093	2.250	1.63	.938	7/16-14	1 5/16-12
SUBF-49T-24-24	1.50	1.50	3.25	4.50	1.437	3.125	1.94	1.312	5/8-11	1 7/8-12
SUBF-49T-32-32	2.00	2.00	4.00	5.25	1.750	3.812	2.19	1.625	3/4-10	2 1/2-12



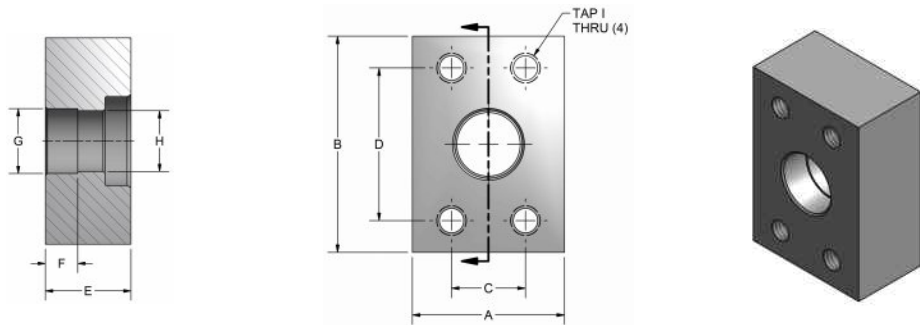
SOCKET WELD PIPE, FEMALE SEAL SUB, DRILLED												
PART NO.	PIPE SIZE	PAD SIZE	A	B	C	D	E	F	G	H	I	SHCS MOUNTING
SUBF-60D-8-8	.50	.50	1.75	2.22	.718	1.594	1.32	.500	.860	.406	.344	5/16-18 X 2.00
SUBF-60D-16-16	1.00	1.00	2.25	3.19	1.093	2.250	1.32	.500	1.335	.938	.492	7/16-14 X 2.25
SUBF-60D-24-24	1.50	1.50	3.25	4.50	1.437	3.125	1.94	.500	1.920	1.312	.656	5/8-11 X 3.00
SUBF-60D-32-32	2.00	2.00	4.00	5.25	1.750	3.812	2.19	.500	2.411	1.625	.781	3/4-10 X 3.50



SOCKET WELD PIPE, FEMALE SEAL SUB, TAPPED											
PART NO.	PIPE SIZE	PAD SIZE	A	B	C	D	E	F	G	H	I UNC-2B
SUBF-60T-8-8	.50	.50	1.75	2.22	.718	1.594	1.32	.500	.860	.406	5/16-18
SUBF-60T-16-16	1.00	1.00	2.25	3.19	1.093	2.250	1.32	.500	1.335	.938	7/16-14
SUBF-60T-24-24	1.50	1.50	3.25	4.50	1.437	3.125	1.94	.500	1.920	1.312	5/8-11
SUBF-60T-32-32	2.00	2.00	4.00	5.25	1.750	3.812	2.19	.620	2.411	1.625	3/4-10

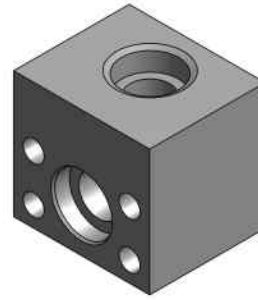
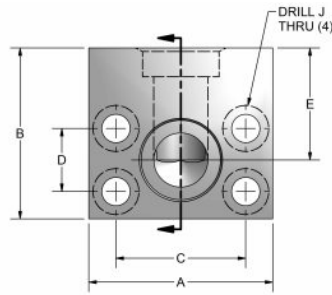
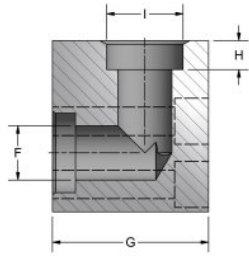


SOCKET WELD TUBE, FEMALE SEAL SUB, DRILLED												
PART NO.	TUBE SIZE	PAD SIZE	A	B	C	D	E	F	G	H	I SHCS MOUNTING HARDWARE	
SUBF-63D-8-8	.50	.50	1.75	2.22	.718	1.594	1.32	.500	.502	.406	.344	5/16-18 X 2.00
SUBF-63D-16-16	1.00	1.00	2.25	3.19	1.093	2.250	1.32	.500	1.002	.938	.492	7/16-14 X 2.25
SUBF-63D-24-24	1.50	1.50	3.25	4.50	1.437	3.125	1.94	.500	1.502	1.312	.656	5/8-11 X 3.00
SUBF-63D-32-32	2.00	2.00	4.00	5.25	1.750	3.812	2.19	.620	2.002	1.625	.781	3/4-10 X 3.50

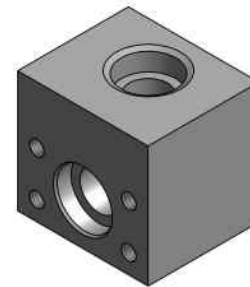
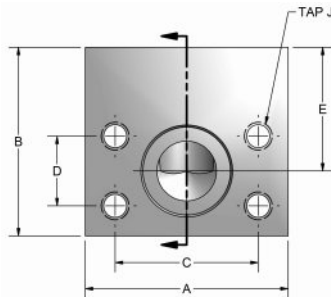
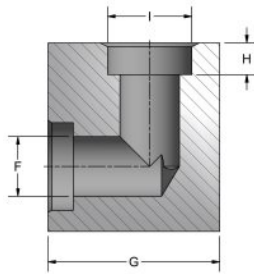


SOCKET WELD TUBE, FEMALE SEAL SUB, TAPPED											
PART NO.	TUBE SIZE	PAD SIZE	A	B	C	D	E	F	G	H	I UNC-2B
SUBF-63T-8-8	.50	.50	1.75	2.22	.718	1.594	1.32	.500	.502	.406	5/16-18
SUBF-63T-16-16	1.00	1.00	2.25	3.19	1.093	2.250	1.32	.500	1.002	.938	7/16-14
SUBF-63T-24-24	1.50	1.50	3.25	4.50	1.437	3.125	1.94	.500	1.502	1.312	5/8-11
SUBF-63T-32-32	2.00	2.00	4.00	5.25	1.750	3.812	2.19	.620	2.002	1.625	3/4-10

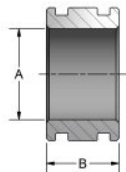
Female Seal Sub



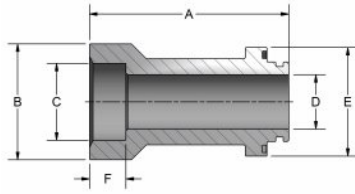
SOCKET WELD PIPE ELBOW, FEMALE SEAL SUB, DRILLED													
PART NO.	PIPE SIZE	PAD SIZE	A	B	C	D	E	F	G	H	I	J	SHCS MOUNTING HARDWARE
SUBF-189D-8-8	.50	.50	2.22	2.46	1.594	.718	1.34	.406	1.96	.500	.860	.344	5/16-18 X 2.75
SUBF-189D-16-16	1.00	1.00	3.19	2.96	2.250	1.093	1.94	.938	2.71	.500	1.328	.492	7/16-14 X 3.75
SUBF-189D-24-24	1.50	1.50	4.50	3.96	3.125	1.437	2.34	1.312	3.46	.500	1.920	.656	5/8-11 X 4.75
SUBF-189D-32-32	2.00	2.00	5.25	4.46	3.812	1.750	2.46	1.625	3.96	.620	2.411	.781	3/4-10 X 5.50



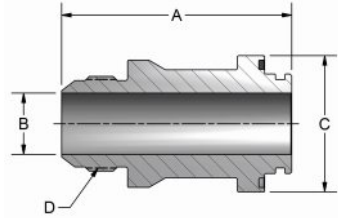
SOCKET WELD PIPE ELBOW, FEMALE SEAL SUB, TAPPED												
PART NO.	PIPE SIZE	PAD SIZE	A	B	C	D	E	F	G	H	I	J UNC-2B
SUBF-189T-8-8	.50	.50	2.22	2.46	1.594	.718	1.34	.406	1.96	.500	.860	5/16-18
SUBF-189T-16-16	1.00	1.00	3.19	2.96	2.250	1.093	1.94	.938	2.71	.500	1.328	7/16-14
SUBF-189T-24-24	1.50	1.50	4.50	3.96	3.125	1.437	2.34	1.312	3.46	.500	1.920	5/8-11
SUBF-189T-32-32	2.00	2.00	5.25	4.46	3.812	1.750	2.46	1.625	3.96	.620	2.411	3/4-10



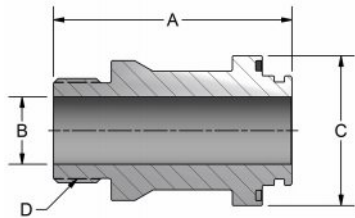
SEAL SUB INSERT				
PART NO.	SEAL SUB SIZE	A	B	O-RING
SSI-8	.50	.406	.750	2-113
SSI-16	1.00	.938	.750	2-123
SSI-24	1.50	1.312	1.000	2-129
SSI-32	2.00	1.625	1.250	2-136



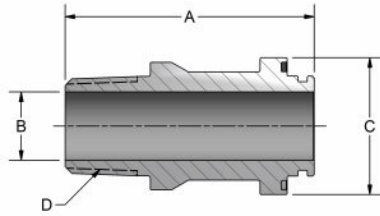
SOCKET WELD PIPE, FIXED NOSE ADAPTER										
PART NO.	PIPE SIZE	FLANGE SIZE	A	B	C	D	E	F	RADIAL O-RING	FACE O-RING
SUB-53-8-8	.50	.50	2.64	1.250	.860	.406	1.250	.560	2-113	2-022
SUB-53-16-16	1.00	1.00	3.44	2.000	1.328	.938	1.875	.630	2-123	2-129
SUB-53-24-24	1.50	1.50	4.43	2.750	1.922	1.312	2.500	.750	2-129	2-136
SUB-53-32-32	2.00	2.00	4.75	3.250	2.406	1.625	3.125	.880	2-136	2-144



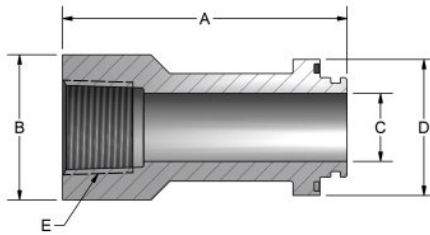
JIC, FIXED NOSE ADAPTER									
PART NO.	TUBE SIZE	FLANGE SIZE	A	B	C	D UN/ UNF-2A	RADIAL O-RING	FACE O-RING	
SUB-600-8-8	.50	.50	2.98	.394	1.250	3/4-16	2-113	2-022	
SUB-600-16-16	1.00	1.00	3.18	.844	1.875	1 5/16-12	2-123	2-129	
SUB-600-24-24	1.50	1.50	4.00	1.312	2.500	1 7/8-12	2-129	2-136	
SUB-600-32-32	2.00	2.00	4.85	1.625	3.125	2 1/2-12	2-136	2-144	



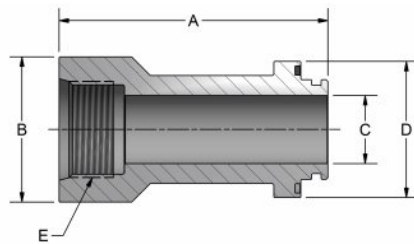
SAE J1926-2, FIXED NOSE ADAPTER									
PART NO.	TUBE SIZE	FLANGE SIZE	A	B	C	D UN/ UNF-2A	RADIAL O-RING	FACE O-RING	
SUB-602-8-8	.50	.50	2.87	.394	1.250	3/4-16	2-113	2-022	
SUB-602-16-16	1.00	1.00	3.00	.844	1.875	1 5/16-12	2-123	2-129	
SUB-602-24-24	1.50	1.50	3.65	1.312	2.500	1 7/8-12	2-129	2-136	
SUB-602-32-32	2.00	2.00	4.375	1.574	3.125	2 1/2-12	2-136	2-144	



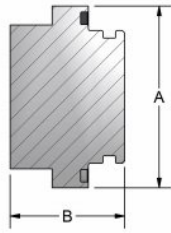
MALE NPTF, FIXED NOSE ADAPTER								
PART NO.	PIPE SIZE	FLANGE SIZE	A	B	C	D NPTF	RADIAL O-RING	FACE O-RING
SUB-606-8-8	.50	.50	3.18	.406	1.250	1/2-14	2-113	2-022
SUB-606-16-16	1.00	1.00	3.45	.938	1.875	1-11.5	2-123	2-129
SUB-606-24-24	1.50	1.50	4.10	1.312	2.500	1 1/2-11.5	2-129	2-136
SUB-606-32-32	2.00	2.00	4.68	1.625	3.125	2-11.5	2-136	2-144



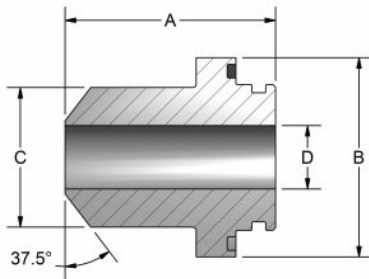
FEMALE NPTF, FIXED NOSE ADAPTER									
PART NO.	PIPE SIZE	FLANGE SIZE	A	B	C	D	E NPTF	RADIAL O-RING	FACE O-RING
SUB-608-8-8	.50	.50	2.96	1.250	.406	1.250	1/2-14	2-113	2-022
SUB-608-16-16	1.00	1.00	3.94	2.000	.938	1.875	1-11.5	2-123	2-129
SUB-608-24-24	1.50	1.50	4.81	2.750	1.312	2.500	1 1/2-11.5	2-129	2-136
SUB-608-32-32	2.00	2.00	5.54	3.250	1.574	3.125	2-11.5	2-136	2-144



SAE J1926-1, FIXED NOSE ADAPTER									
PART NO.	PORT SIZE	FLANGE SIZE	A	B	C	D	E UN/ UNF-2B	RADIAL O-RING	FACE O-RING
SUB-610-8-8	.50	.50	2.77	1.250	.406	1.250	3/4-16	2-113	2-022
SUB-610-16-16	1.00	1.00	3.72	2.000	.938	1.875	1 5/16-12	2-123	2-129
SUB-610-24-24	1.50	1.50	4.81	2.750	1.312	2.500	1 7/8-12	2-129	2-136
SUB-610-32-32	2.00	2.00	5.54	3.250	1.574	3.125	2 1/2-12	2-136	2-144

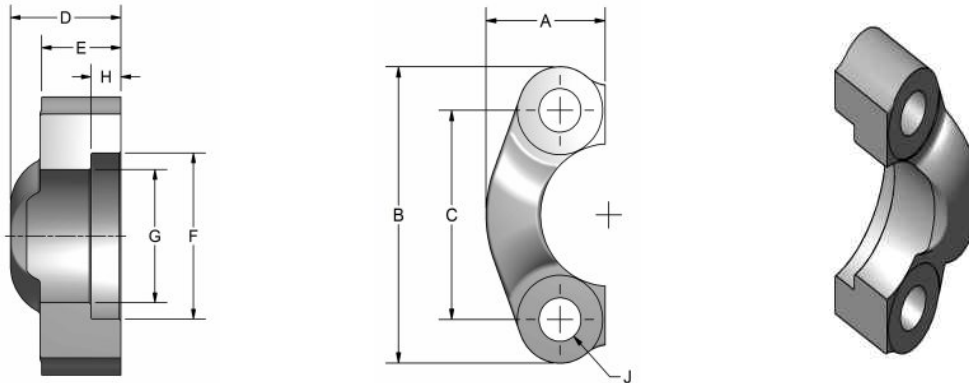


FIXED NOSE ADAPTER PLUG					
PART NO.	FLANGE SIZE	A	B	RADIAL O-RING	FACE O-RING
SUB-8FOPX	.50	1.250	.935	2-113	2-022
SUB-16FOPX	1.00	1.875	1.185	2-123	2-129
SUB-24FOPX	1.50	2.500	1.690	2-129	2-136
SUB-32FOPX	2.00	3.125	2.125	2-136	2-144



SCH XXS BUTT WELD, FIXED NOSE ADAPTER								
PART NO.	PIPE SIZE	FLANGE SIZE	A	B	C	D	RADIAL O-RING	FACE O-RING
SUBM8-8BWXXS	.50	.50	1.475	1.250	.840	.252	2-113	2-022
SUBM16-16BWXXS	1.00	1.00	1.985	1.875	1.315	.599	2-123	2-129
SUBM24-24BWXXS	1.50	1.50	2.670	2.500	1.900	1.100	2-129	2-136
SUBM32-32BWXXS	2.00	2.00	3.110	3.125	2.375	1.503	2-136	2-144

Split Flange



CODE 62 SPLIT FLANGE											
*PART NO.	FLANGE SIZE	A	B	C	D	E	F	G	H	J	MOUNTING HHCS
8SFX-2-SS	.50	.89	2.22	1.594	.88	.62	1.281	.970	.285	.344	5/16-18X1.25
12SFX-2-SS	.75	1.14	2.81	2.000	1.12	.75	1.656	1.280	.325	.406	3/8-16X1.50
16SFX-2-SS	1.00	1.33	3.19	2.250	1.31	.94	1.906	1.530	.355	.469	7/16-14X1.75
20SFX-2-SS	1.25	1.48	3.75	2.625	1.50	1.06	2.156	1.750	.385	.531	1/2-13X1.75
24SFX-2-SS	1.50	1.83	4.44	3.125	1.69	1.19	2.531	2.030	.475	.656	5/8-11X2.25
32SFX-2-SS	2.00	2.20	5.25	3.812	2.06	1.44	3.156	2.660	.475	.781	3/4-10X2.75

*ANCHOR PART # INCLUDES: (1) SPLIT FLANGE HALF ONLY

LIMITED WARRANTY

Anchor Fluid Power warrants only that the products conform to the dimensions set forth in its catalog at the time of sale. Catalog dimensions are subject to change. This warranty is made in lieu of all other warranties, expressed or implied. All other warranties, expressed or implied, **INCLUDING ANY WARRANTY OF MERCHANTABILITY OR FITNESS FOR A PARTICULAR PURPOSE**, are excluded and will not apply to the products sold. If the buyer disassembles, repairs or modifies the unit in any way warranty is no longer valid.

Buyer must obtain written authorization from Anchor Fluid Power prior to returning products. Nonconforming products must be returned to Anchor Fluid Power within 30 days of delivery to buyer.

Internal material defects may not be commercially detectable. Under no circumstances will Anchor Fluid Power be liable for any damages or claims with respect to soundness of material.

No employee, agent, or representative of Anchor Fluid Power has the authority to vary the terms of the warranty described herein, or to extend this warranty to anyone other than Anchor Fluid Power's direct customers.

LIMITATION OF DAMAGES

Buyer's sole and exclusive remedy against Anchor Fluid Power for nonconforming products will be the furnishing of replacement products (F.O.B. Anchor Fluid Power) or refund or credit.

Anchor Fluid Power shall not be liable to buyer, its employees, agents, customers or to any third party for any claim, loss or damage, general or special, incidental or consequential, including but not limited to death, personal injury, property damage, lost sales or lost profit, which in any way arises out of or in connection with the sale of any product or the use or non-use of such products, even if Anchor Fluid Power has been advised of the possibility of such loss or damage.

